

COAXIAL RF SURGE PROTECTION

IS-50 Series

The IS-50 Series of DC block surge arrestors are designed to protect against lightning events and are ideal for HF, UHF and VHF radios. The IS-50 family of RF protectors can be used for general radio use with frequency ranges between 1.5 MHz to 1000 MHz.



FEATURES

- Broad frequency ranges from 1.5 MHz to 1000 MHz
- Connectors: N-Type, F-Type and UHF
- High power versions capable to 2kW
- Industry leading surge rating of 20kA
- 75Ω version available (IS-75F-C1)

STANDARDS

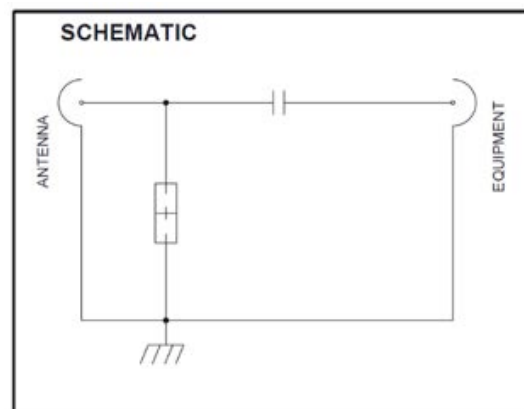
- CE Compliant
- RoHS Compliant

GENERAL SPECIFICATIONS

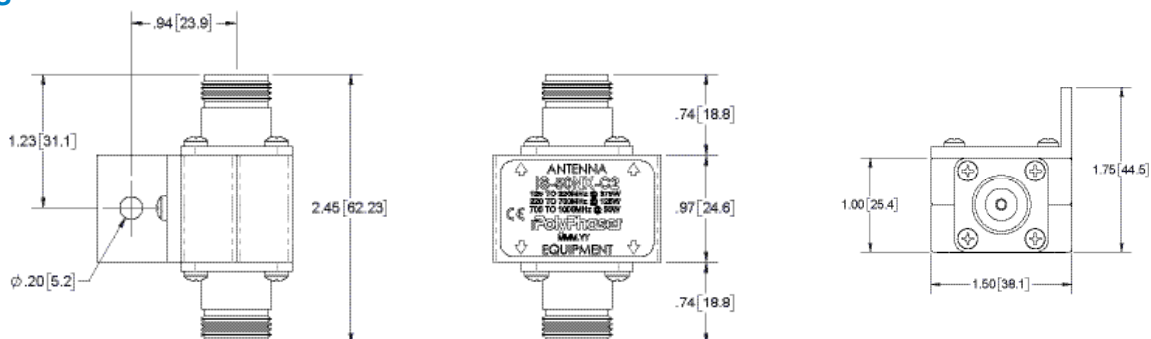
Insertion Loss	≤0.1dB
VSWR	≤1.2:1 or Better Over Frequency Range
Return Loss	<20db
Surge Withstand	20kA 8/20μs Waveform
Weathering Kit Available	Part Number: WK-1

PATENTED LIGHTNING ARRESTOR TECHNOLOGY

The IS-50 product family is based on PolyPhaser's market establishing surge protection technology. This engineered surge suppressor has been the cornerstone for ham radio operators, land mobile communications and remote industrial monitoring. The IS-50 is approved by major OEMs for use in critical applications such as emergency response, SCADA and public safety communications.



DIMENSIONS



AVAILABLE IS-50 PART NUMBERS

Part Number	Frequency Range	Connector	Mounting Configuration	RF Power**	Let-Through Energy
IS-50NX-C0	1.5MHz - 700MHz	N-Type	Flange	Up to 2kW	≤10mJ
IS-50NX-C0-MA	1.5MHz - 700MHz	N-Type	Flange	Up to 2kW	≤10mJ
IS-50NX-C0-ME	1.5MHz - 700MHz	N-Type	Flange	Up to 2kW	≤10mJ
IS-50NX-C2	125MHz - 1GHz	N-Type	Flange	Up to 375W	≤200μJ
IS-50NX-C2-MA	125MHz - 1GHz	N-Type	Flange	Up to 375W	≤200μJ
IS-50NX-C2-ME	125MHz - 1GHz	N-Type	Flange	Up to 375W	≤200μJ
IS-50UX-C0	1.5MHz - 700MHz	UHF	Flange	Up to 2kW	≤10mJ
IS-50UX-C1-MA	50MHz - 700MHz	UHF	Flange	Up to 375W	≤600μJ
IS-50UX-C1-ME	50MHz - 700MHz	UHF	Flange	Up to 375W	≤600μJ
IS-75F-C1	4MHz - 900MHz	F-Type	Flange	Up to 100W	-

- MA for Male Surge (Antenna) Connector
- ME for Male Protected (Equipment) Connector

**Power depends on frequency being used – see individual product specifications for details